

UZE 300609



Instruction of assembly

Unizinc Easy



GENERAL WARNINGS**1) Assembly sequence for Unizinc Easy shelving**

- Assembly of frames
- Assembly of beams
- Assembly of cross bracings
- Assembly of shelf panels
- Assembly of blocking beams
- Assembly of fittings (containers, back sheets, etc.)
- Assembly of mezzanine floor and staircases

2) The assembly team must be provided with all the equipments required to prevent job accidents, according to the specific assembly operations (Helmet, gloves, accident prevention shoes, safety belts, etc.)

3) Position the capacity charts, properly drawn up according to the configuration of the shelving, on the head of the row at a suitable height, in order they could be well visible

4) The shelving is designed for a specific use. Possible changes of the geometry may be produced only under authorization of our Technical Department

5) Inspections should be carried out in order to identify possible anomalies not found during the normal use of the shelving. By carrying out a planned maintenance of the system, it is possible to avoid dangerous situations that may cause accidents. It is important to replace possible damaged elements as to obtain the full operation of the system

6) We suggest reading carefully all the following instructions before starting the assembly.

**In case of customer provides the assembling operations,
Rosss S.p.a. refuses all responsibilities for damages to
things and/or persons due to this activity.**

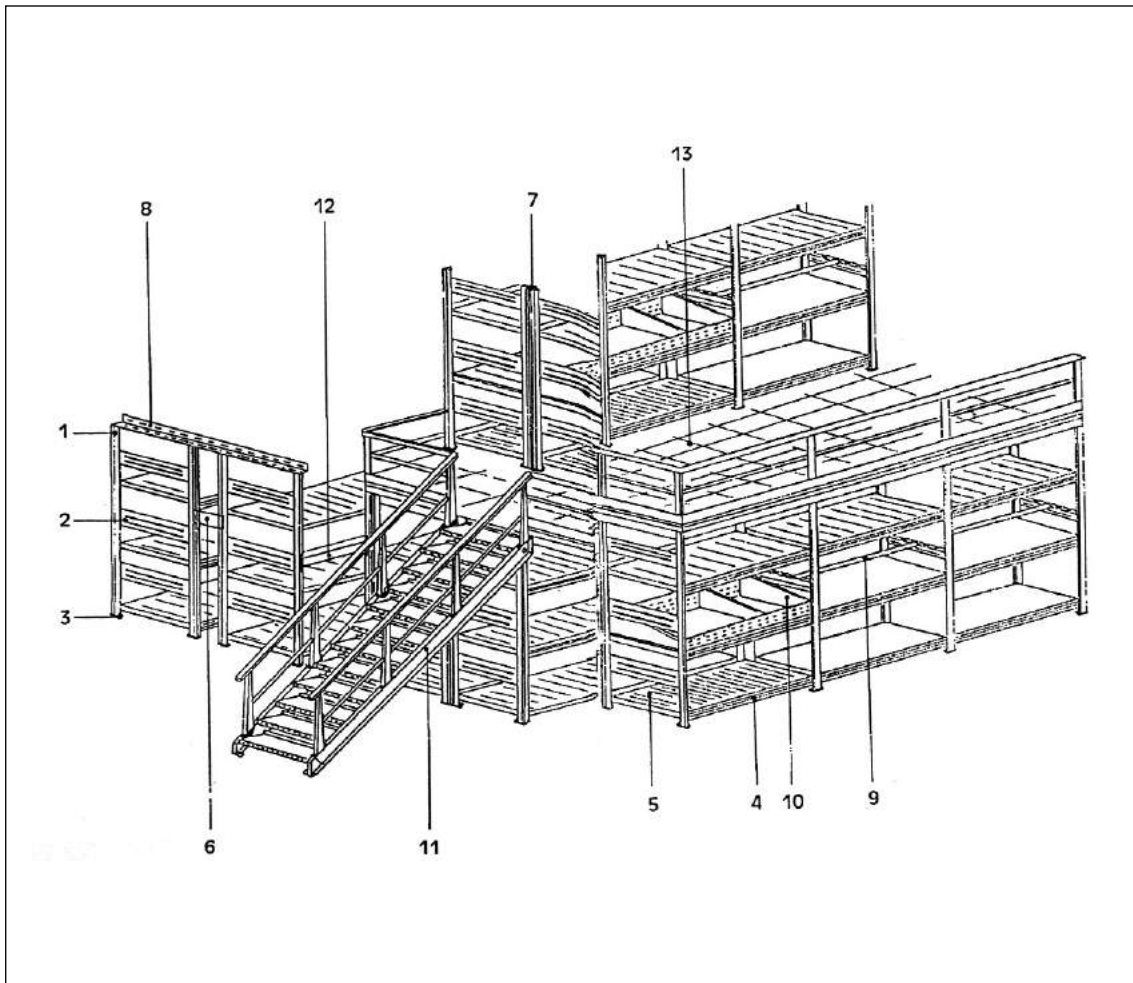
Our production is under guarantee by

ASSICURAZIONI GENERALI

with Insurance policy n. 989455770

“Risk products policy” e “Civil liability”

with coverage up to € 1.549.370.

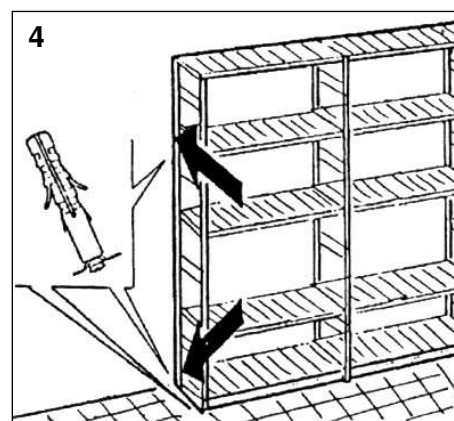
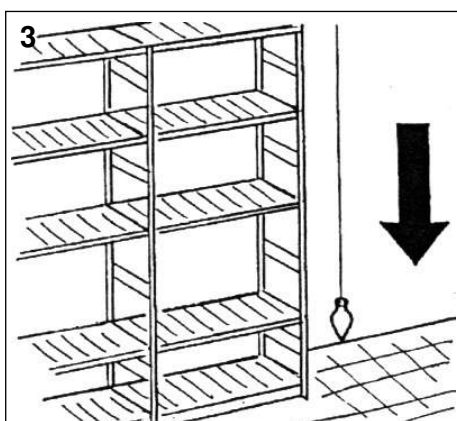
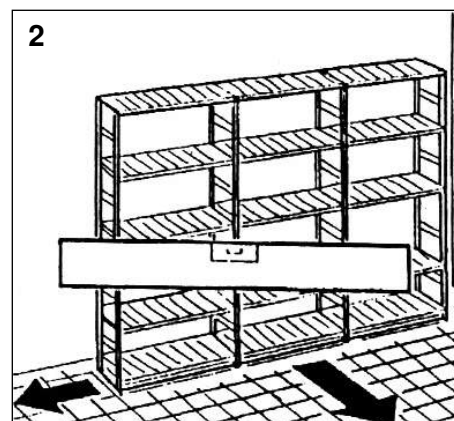
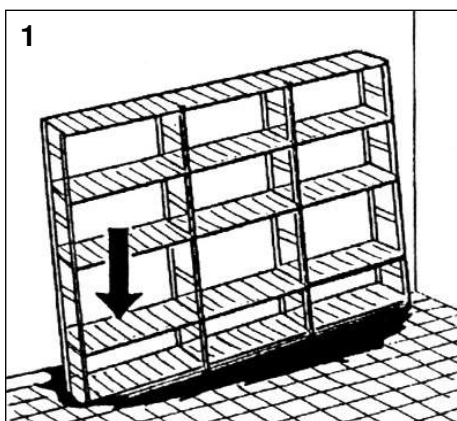


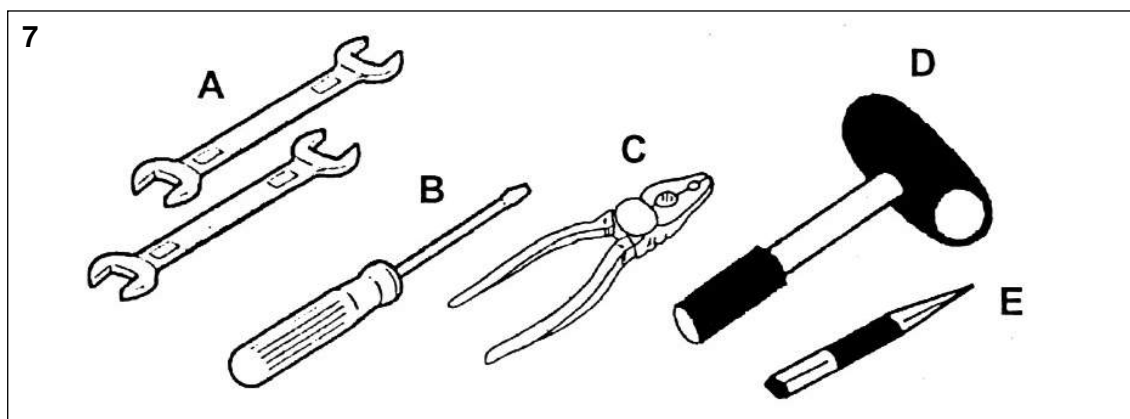
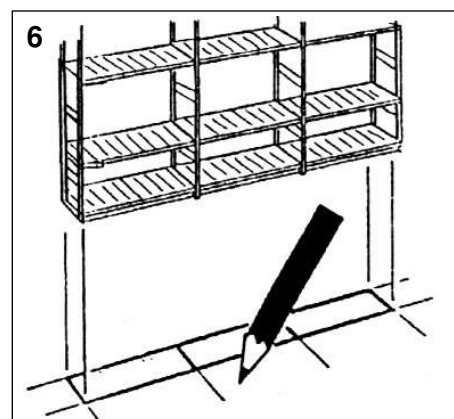
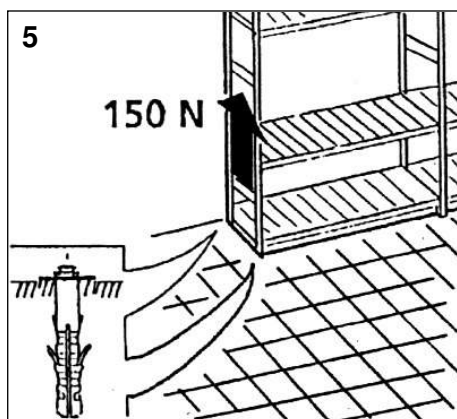
LEGEND

- | | |
|--------------------------|---------------------|
| 1) Upright | 8) Blocking element |
| 2) Bracing | 9) Hanging rail |
| 3) Base plate | 10) Container |
| 4) Beam | 11) Staircase |
| 5) Shelf panel | 12) Blocking beam |
| 6) Row spacer | 13) Planking |
| 7) Upper connecting clip | |

PREPARATIONS FOR THE ASSEMBLY

- 1) Check the capacity of the supporting floor.
- 2) Check the levelling of the floor.
- 3) Shelving systems must be assembled vertically.
- 4) Individual systems, whose height exceeds six times the depth of the shelving, must be anchored to the wall (in the upper part).





5) Minimum extension strength of the anchoring = 150N (15 kg).

6) Mark out the exact position of the shelving on the floor.

7) ASSEMBLY TOOLS:

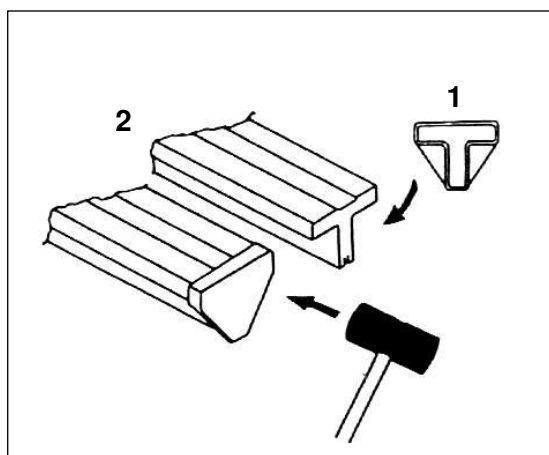
A) Set of spanners

B) Screwdriver

C) Pliers

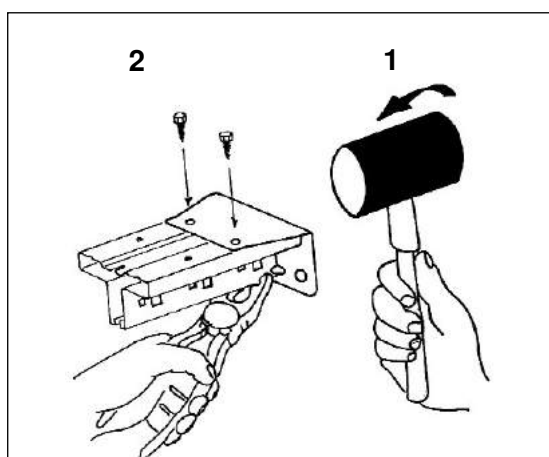
D) Gum-hammer

E) Drift



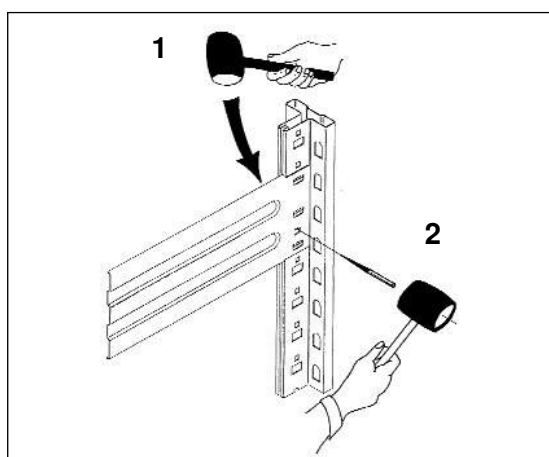
ASSEMBLY OF PLASTIC FOOT

Insert the plastic foot (1) in the lower part of the upright (2).



ASSEMBLY OF BASE PLATE

Insert the base plate (1) in the upright (2) and tighten it with self-tapping screws type M 6,3x16.

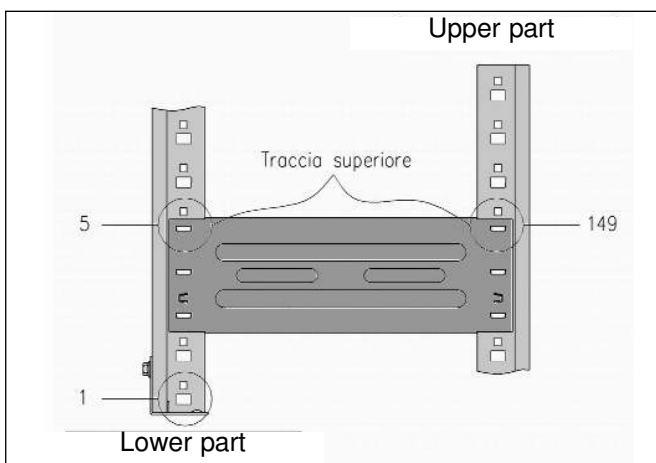
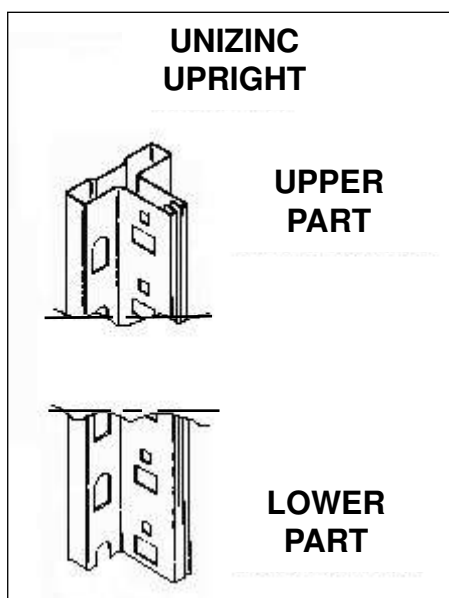


ASSEMBLY OF BRACING

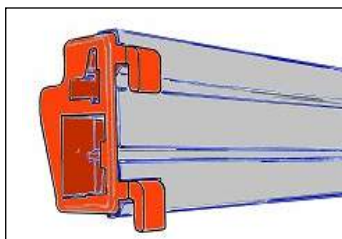
Insert the bracing in the internal slots of the upright (1) and block it by bending the tang (2) towards the inside.

BRACINGS ASSEMBLY TABLE

Frames height (mm)	N. of bracings	Position of the bracing upper slot					
		1°	2°	3°	4°	5°	6°
1800	3	5	29	45			
2025	3	5	29	53			
2250	3	5	29	53			
2475	3	5	29	61			
2700	3	5	29	61			
3000	4	5	29	53	77		
3225	4	5	29	53	85		
3525	4	5	29	53	85		
3750	4	5	29	53	93		
4050	5	5	29	53	77	101	
4275	5	5	29	53	77	109	
4500	5	5	29	53	77	109	
4725	5	5	29	53	77	117	
5025	6	5	29	53	77	101	133
5250	6	5	29	53	77	101	133
5475	6	5	29	53	77	109	141
5700	6	5	29	53	77	109	149
6000	6	5	29	53	77	109	149

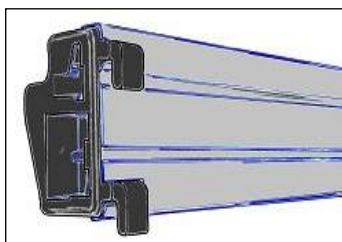


Before assembling the frames, make you sure you have setted the uprights correctly (upper and lower part)

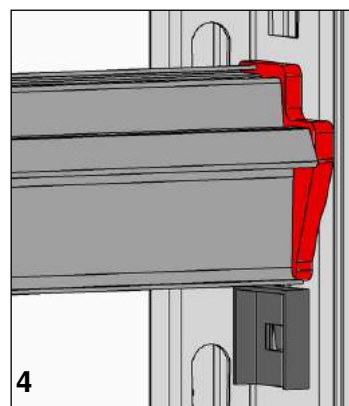
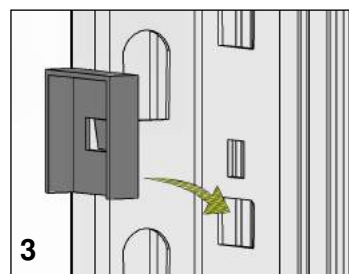
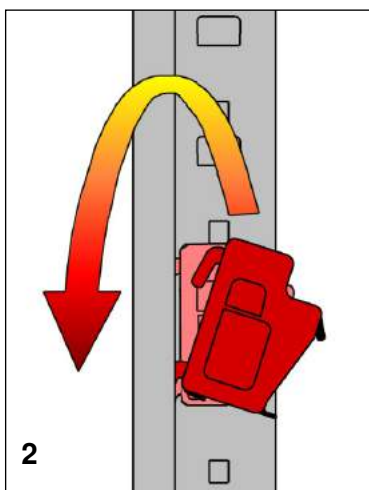
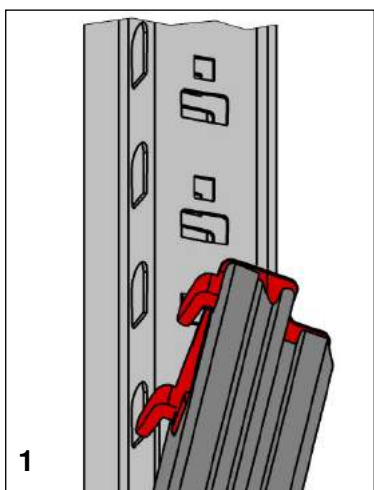


ASSEMBLY OF BEAMS

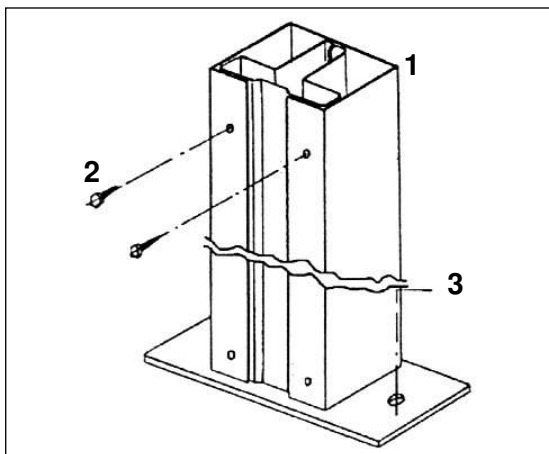
There are two kind of beams: Red Type and Black Type, recognizable by the color of the cup's beam. Insert the cur's lower hooks into back holes of the upright(1), then turn the beam, insert the upper hooks too and finally push down(2).



In case of beams with clip, insert the clip in the lateral hole of the upright (3), then insert the beam (4).

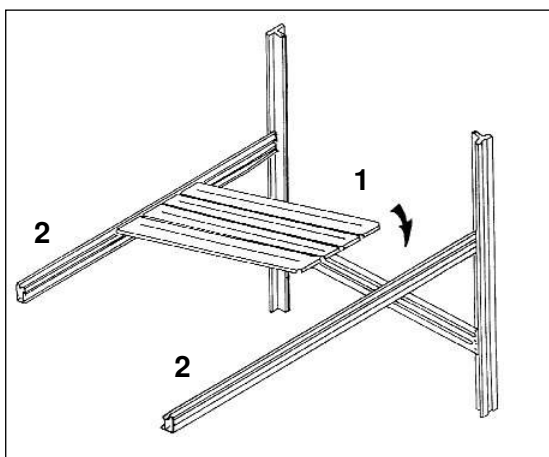


TO ASSEMBLE THE BEAMS YOU NEVER USE THE HAMMER: THIS DAMAGES THE BEAMS.



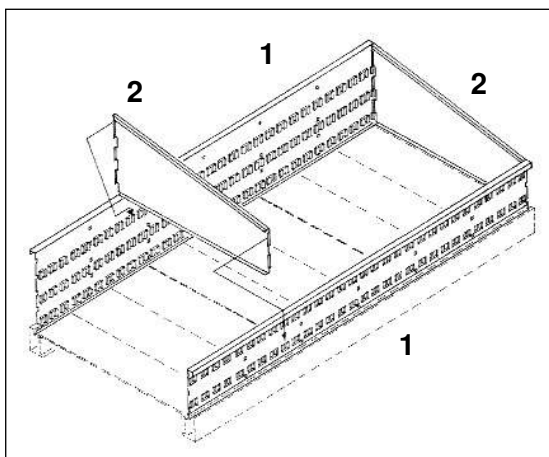
ASSEMBLY OF UPRIGHT REINFORCEMENT

Insert the Unizinc upright in the profile (1). Then fix the profile to the upright with self-tapping screws type M 6,3x19 corresponding to the holes, each 487,5 mm (2). Fix the base plate of the upright reinforcement to the floor with 2 screw anchors (3).



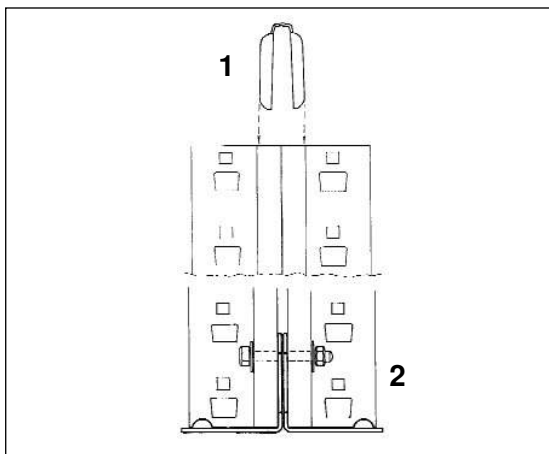
ASSEMBLY OF SHELF PANELS

Insert the shelf panel (1) in the beams groove (2).



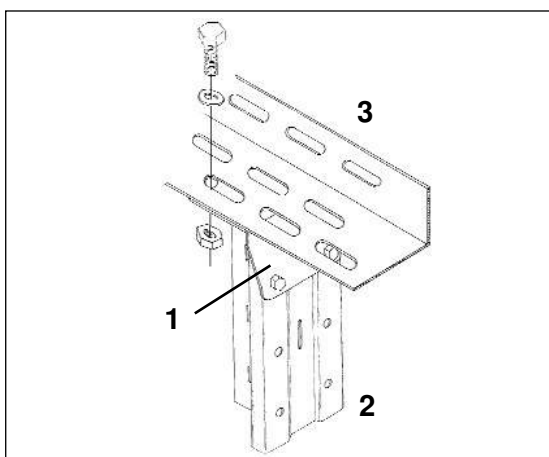
ASSEMBLY OF CONTAINERS

Put the front and back dividing elements (2) on the shelf. Insert the shelf dividers in the slots of the dividing elements.



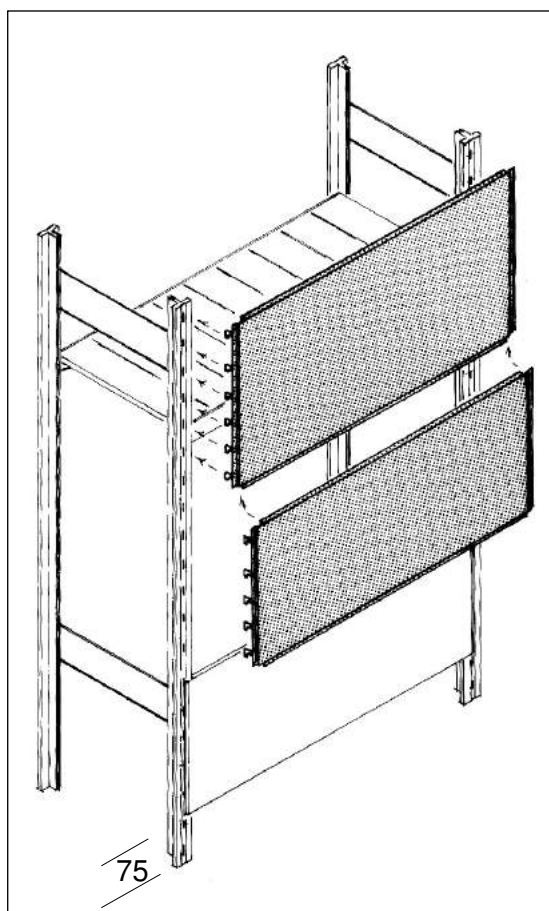
ASSEMBLY OF UPPER CONNECTING CLIP (1) AND COUPLING OF BASE PLATES

The uprights with base plates must be joined with two screws type M 4x35 + screw nut + washer (2).



ASSEMBLY OF BLOCKING ELEMENT

Assemble the base plate (1) on the upper part of the upright (2) (see page 12). Fix the blocking element (3) with screws type M 8x20 + screw nut + washer.



Frames height (mm)	N. of panels of 450 mm	N. of panels of 375 mm
1800	3	1
2025	1	4
2250	4	1
2475	2	4
2700	5	1
3000	4	3
3225	7	-
3525	6	2
3750	4	5
4050	8	1
4275	6	4
4500	9	1
4725	7	4
5025	11	-
5250	9	3
5475	12	-
5700	10	3
6000	9	5

ASSEMBLY OF BACK SHEETS

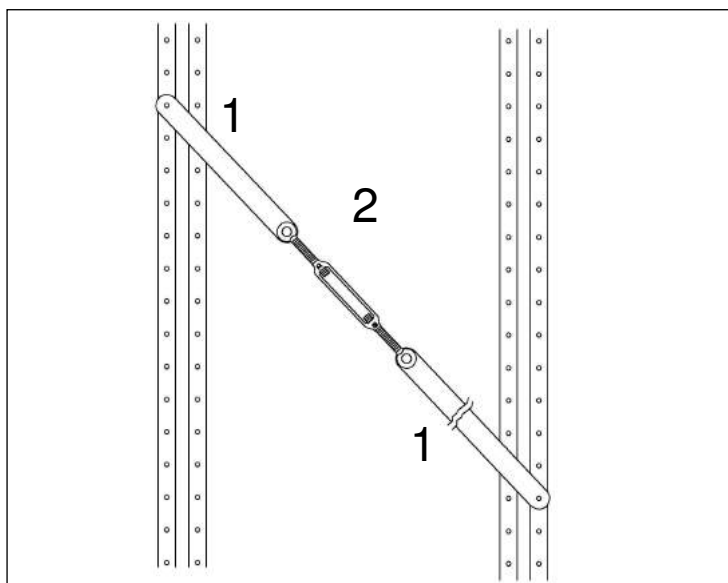
Start the assembly of the back sheet from the upper part of the frame according to the sequence of dimensions listed in the table.
 The distance of the lower sheet from the floor is mm 75 for any height.

ASSEMBLY OF CROSS BRACINGS

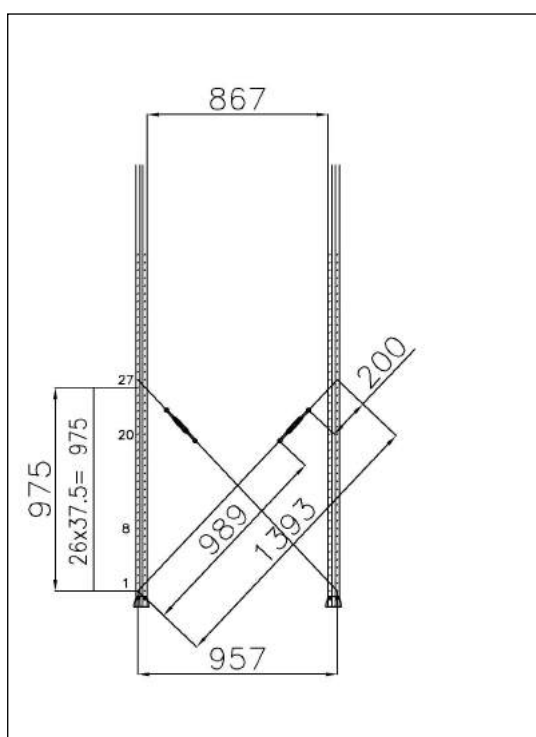
The cross bracings (1) must be fixed in the external holes of the upright with screws type M6x40, nut and washer 6.4x18.

The tie-rods (2) must be fixed between cross bracings with screws M6 x 20, nut and washer 6,4 x 24.

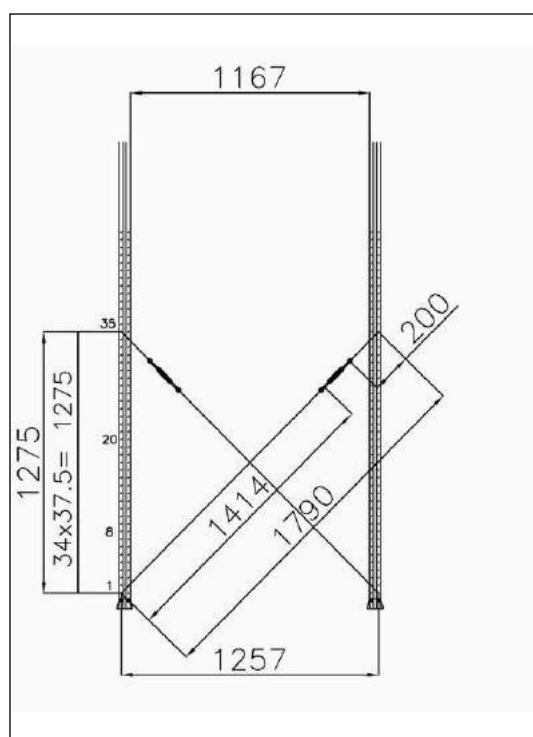
If there are two cross bracings, the secon one must be fixed just after the first.



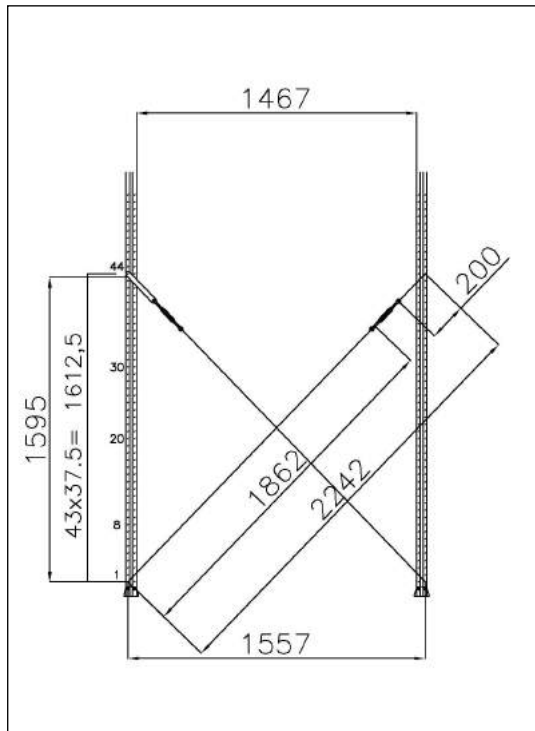
BAY MM. 900



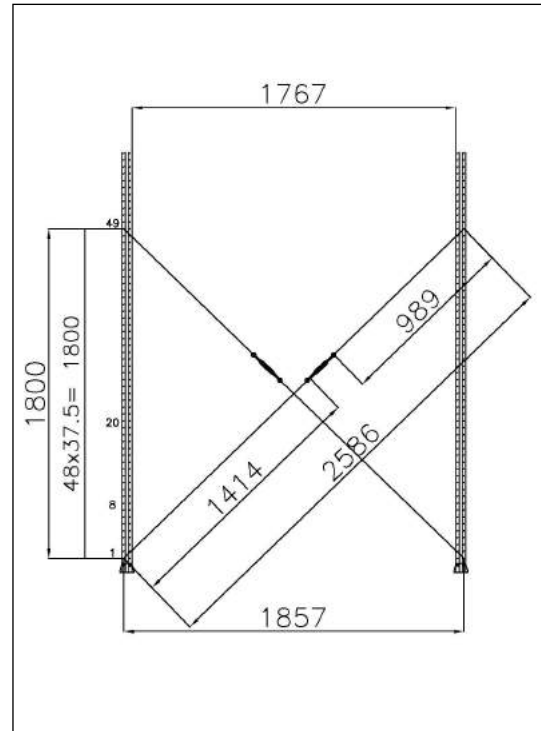
BAY MM. 1200



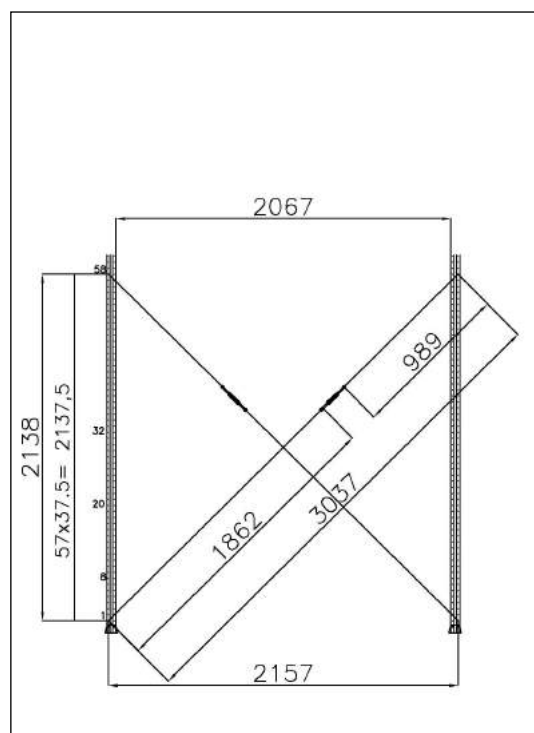
BAY MM. 1500

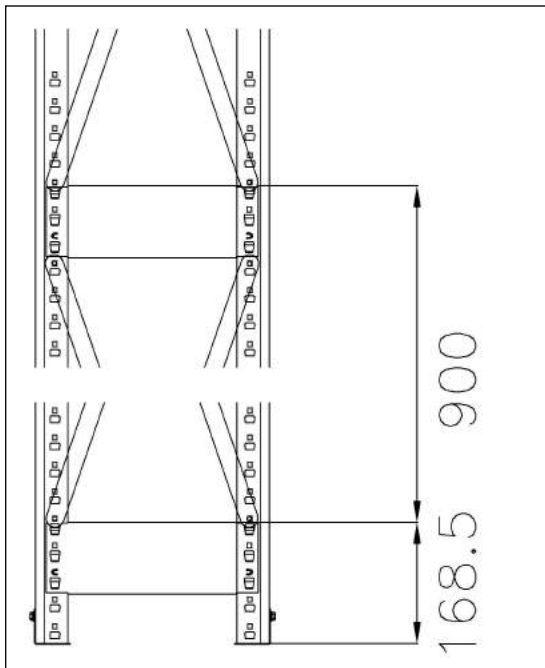


BAY MM. 1800



BAY MM. 2100

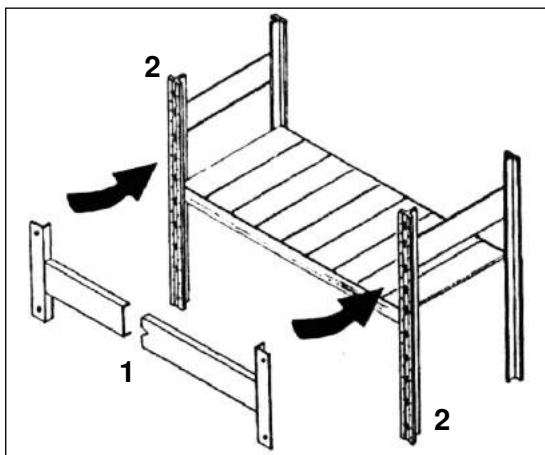
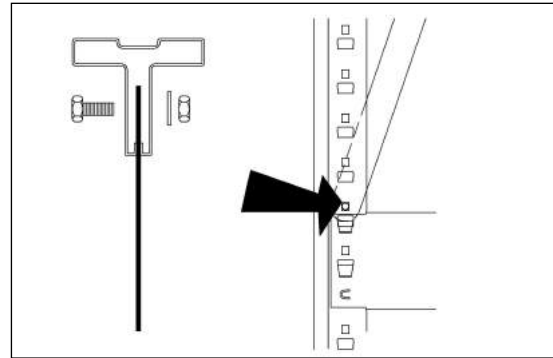




ASSEMBLY OF CROSS BRACINGS ON THE FRAME

The cross bracings of the frame must be fixed inside the upright, as low as possible.

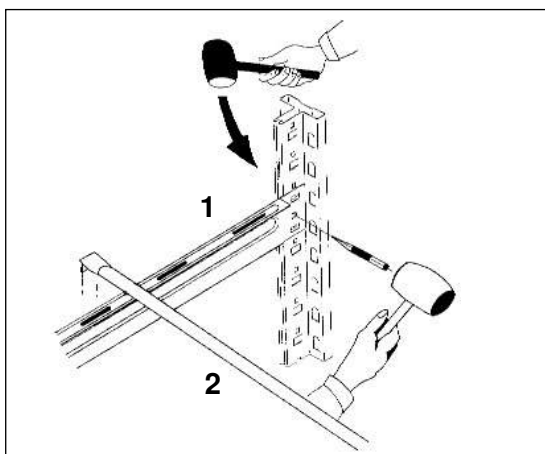
To fix use screws type M6x25, nut and washer.



BLOCKING BEAMS

Fix the blocking beams (1) to the upright (2) with self-tapping screws type M 6,3x16. The "C" profile of the blocking beam must fit in the beam of the shelf.

The first blocking beam must be assembled at about 500 mm from the floor. The other blocking beams must be assembled within the height of the cross bracings.

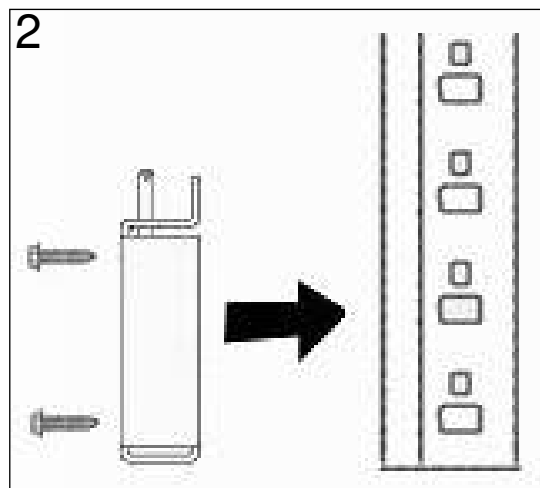
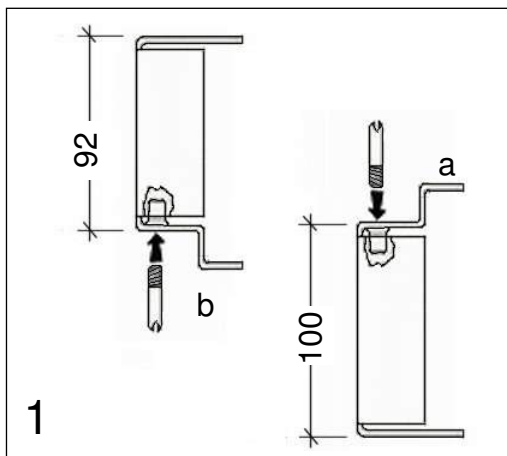


ASSEMBLY OF HANGING RAIL

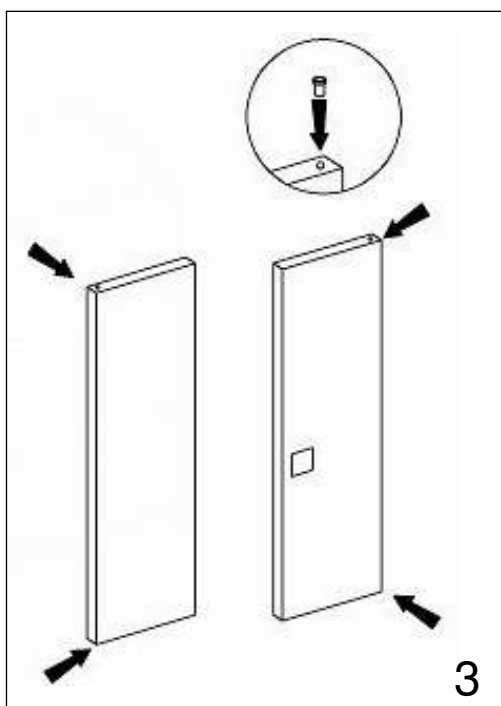
Assemble the bracing for hanging rail (1) (see page 5). Fix the hanging rail (2) in the slots of the bracing.

ASSEMBLY OF DOORS

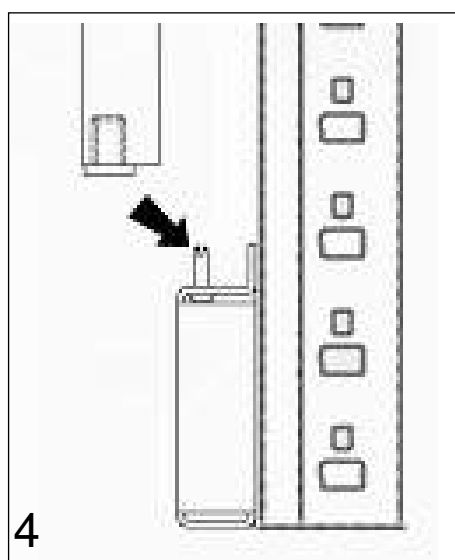
1) Screw pins into the bottom part of the lower (a) and upper (b) door's backplate



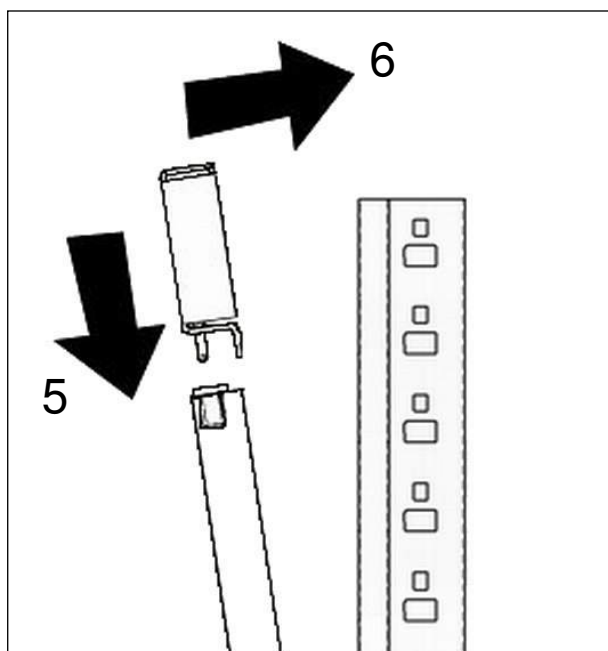
2) Put the lower door's back plate matching with the base of the shelving system and fixing it by self screwing screw (M4,8x9,5) into the 2 first frontal holes of the upright.



3) Insert brass screws into the holes to the end of the doors.



4) Insert the doors in the pins of the lower door's back plate.

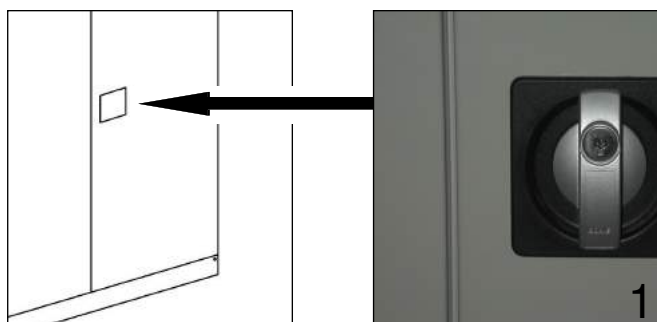


5) Insert the upper door's back plate, thanks to the pins, into the brass holes.

6) Lean doors and plate to the upright and fixing them by self screwing screw (M 4,8 x 9,5) to the front of upper plate. Then close the frontal holes with black plastic pins. At the end put the 4 thickness on the corners of the doors, in the leaning point with upper and lower door's back plate.

In case of double door, firstly assembly the lower doors (with the central and lower door's back plate) and then the upper door with upper door's back plate.

ASSEMBLY OF LOCKING DEVICE

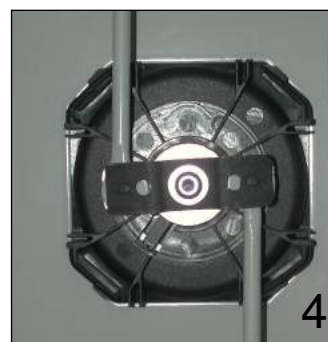
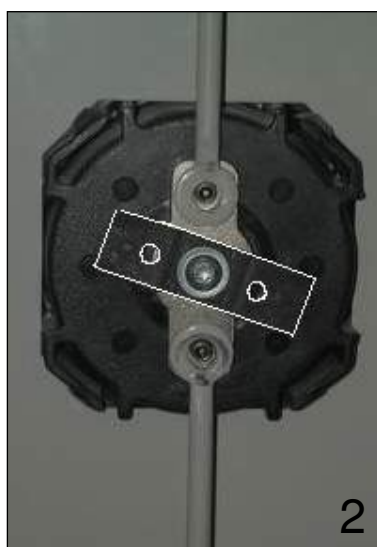


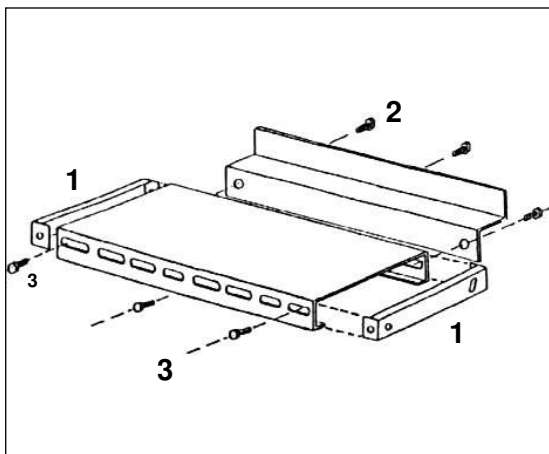
1) Insert the locking device into the proper hole in the door..

2) Insert the clips into the lower and upper holes of the door, close the door itself and insert the staff into the holes of the upper and lower door's back plate.

3) Insert the eyes of staff into the pins of the locking device, and block ones rotatinf little tongue.

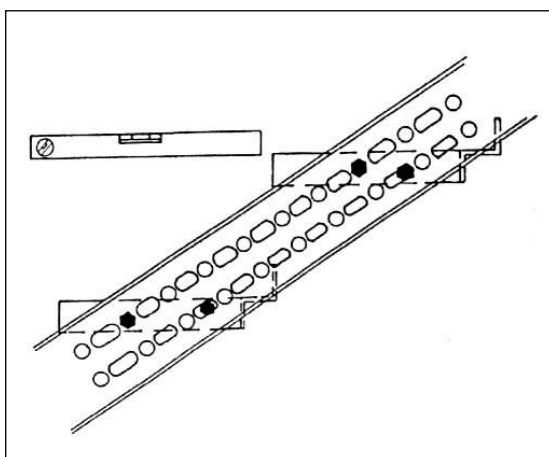
4) Rotating the locking system in order to verify the proper use.





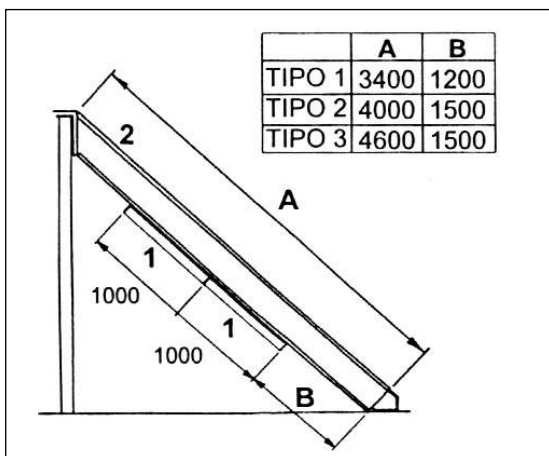
ASSEMBLY OF STEP

Insert the right and left reinforcing bars (1), then install the plinth (2) and tighten these elements with bolts type M 8x20 + screw nut + washer (3).



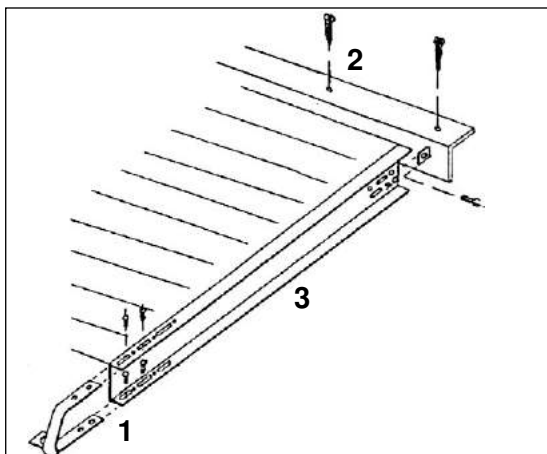
ASSEMBLY OF STEPS ON THE STAIRCASE PROFILE

Between the two steps there is a distance of six slots. Check the levelling of the steps with a level, then tighten with bolts type M 10x20 + screw nut + washer.



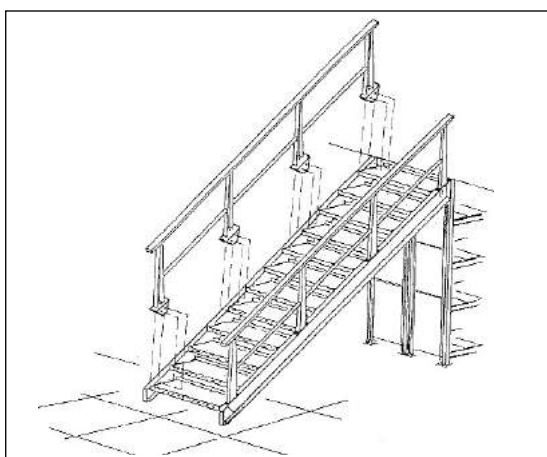
ASSEMBLY OF PANELS FOR BRACING

The panels for bracing (1) must be fixed under the staircase profile (2) with six screws type M 8x20 + screw nut + washer, starting from the lower extremity of the staircase.



ASSEMBLY OF BASE PLATE TO THE FLOOR AND FIXING OF STAIRCASE TO THE MEZZANINE FLOOR

Insert the right and left base plate (1) in the profile (3) and tighten with screw type M 10x20 + screw nut + washer. Fix the metal square (2) to the staircase with bolt type M 10x20 + screw nut + washer. Block the metal square (2) to the mezzanine floor with screws type M 8x30 TS. By this way the plate of the metal square is external as regards as to the profile (3).



ASSEMBLY OF BANISTER

Fix the banister to the staircase with screws type M 10x20 + screw nut + washer.

ASSEMBLY OF MEZZANINE FLOOR WITH LONGITUDINAL PLANKING

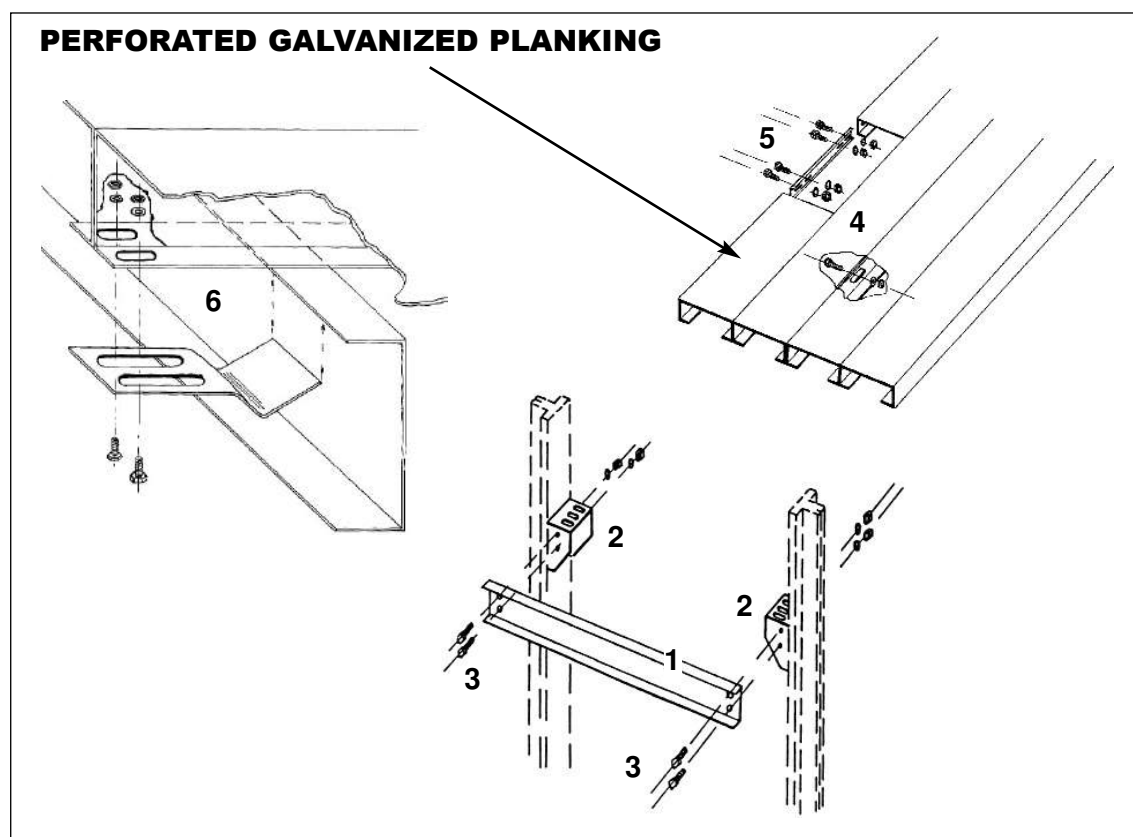
Fix the bracket (2) to the upright with self-tapping screws type M 6,3x16.

Fix the "C" profile (1) to the bracket (2) with screws type M 6x16 + screw nut + washer (3).

Fix the planking to the "C" profile with the fixing bracket by means of screws type M 8x20 + screw nut + washer (6).

The shelf panels must be linked together with screws type M 8x20 + screw nut + washer (4) each mm 1000.

Join the planking with bracket and screws type M 8x20 +screw nut + washer (5).



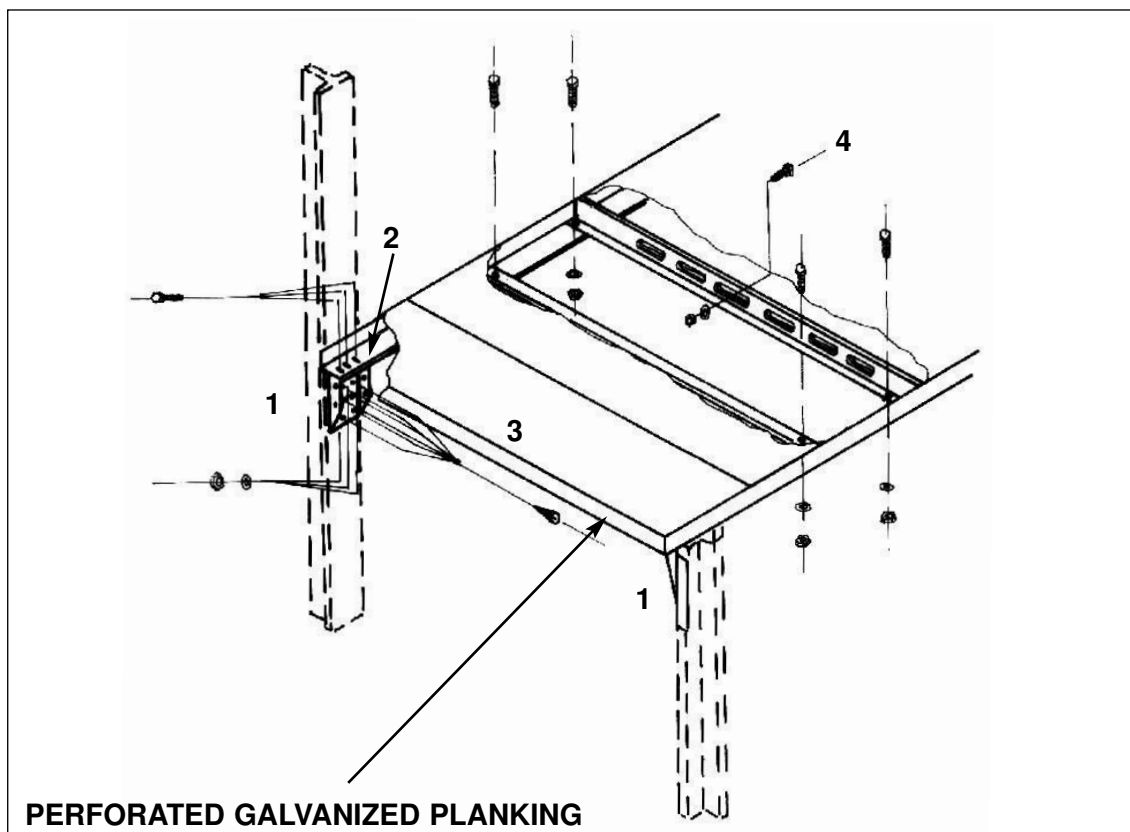
ASSEMBLY OF MEZZANINE FLOOR WITH CROSS PLANKING

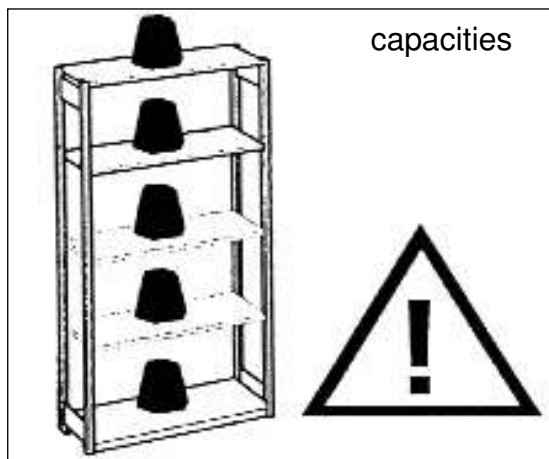
Fix the bracket (1) to the upright with screws type M 6,3x16.

Fix the shelf panel support profile (2) on the bracket (1) by using screws type M 6x16 + screw nut + washer.

Fix the planking (3) to the profile with screws type M 8x20 + screw nut + washer.

The shelf panels must be joined through one screw type m 8x20 + screw nut + washer (4).



INSTRUCTIONS FOR USE

- 1) Shelving systems must be rearranged only when they are empty.
- 2) The prerequisite for the stability of the shelving is its proper anchoring according to the assembly instructions.
- 3) The maximum capacity of the shelves must not be exceeded.
- 4) The capacities values are valid only when loads are uniformly distributed.
- 5) Heavy objects should be unloaded carefully from the shelves.
- 6) Climbing up the shelves is not allowed.
- 7) Do not bump against the shelving with transport or handling units.
- 8) The corners of sheets and aisles must be appropriately protected.

TO KNOW THE CAPACITIES OF THE SHELVES,
LOOK AT OUR TECHNICAL PRICE LIST